

L20 Series

RoHS Directive Products

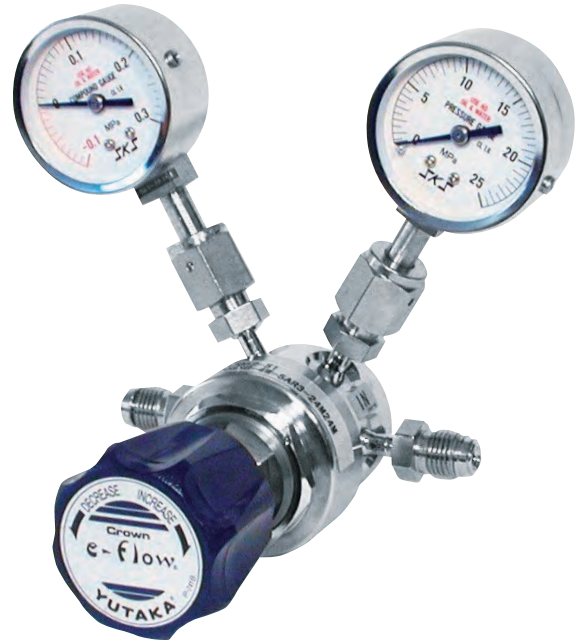
High Pressure Regulator

Inlet Pressure	Max.24 MPaG (Max.3,480 PSIG)
Outlet Pressure	Max.0.99 MPaG (Max.144 PSIG) (Pressure Range: 0~0.2 MPa, 0~0.4 MPa, 0~0.6 MPa, 0~0.99 MPa)
Supply Pressure Effect	0.00021 MPaG (0.03 PSIG) per 0.1 MPaG (14.5 PSIG)
Proof Pressure	31.5 MPa (4,567 PSI), 1.5 MPa (Outlet Side)
CV	0.09
Temperature	-10°C to +40°C
Outboard Leakage	$1 \times 10^{-11} \text{ Pa} \cdot \text{m}^3/\text{sec} \cdot \text{He}$ ($1 \times 10^{-10} \text{ atm} \cdot \text{cc}/\text{sec} \cdot \text{He}$)
Internal Volume	4.67 cc (0.28 in ³) w/o fittings
Approximate weight	1.29 kg (2 lbs.14 oz.)
Installation	Threaded holes on the rear surface or Panel mounting

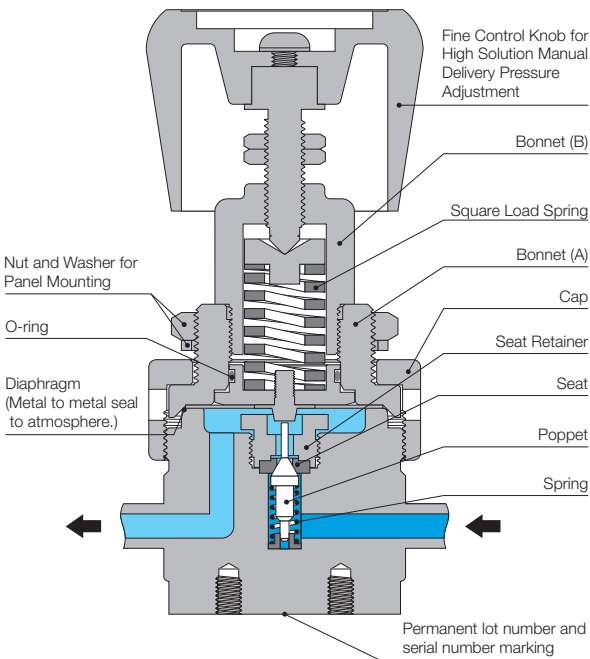
[NOTE]

1MPa = 10.2 kgf/cm² = 145.04 PSI

1MPa = 7504.36 mmHg = 295.4 inHg



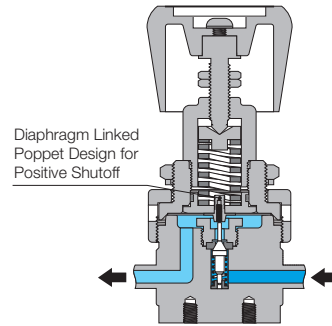
Cross sectional drawing



[NOTE]

- Avoid turning the control knob excessively.
- Series L25,L26 are recommended for Chlorine (Cl₂) service and Nitrous Oxide (N₂O) service.
- No filter in this unit.

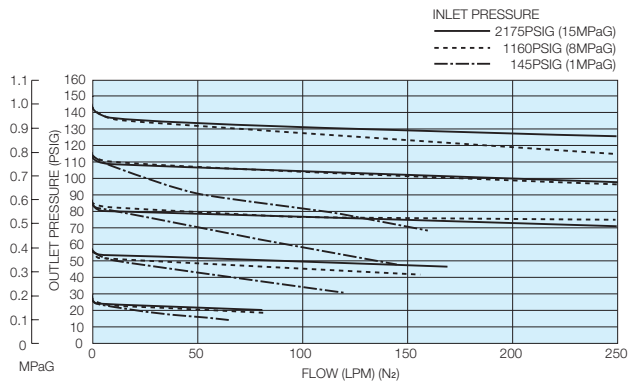
Tied Diaphragm (Optional)



[NOTE]

Operating the Tied Diaphragm Type: In order to minimize premature wear of regulator's internal parts. Be sure not to close regulator while under pressure.

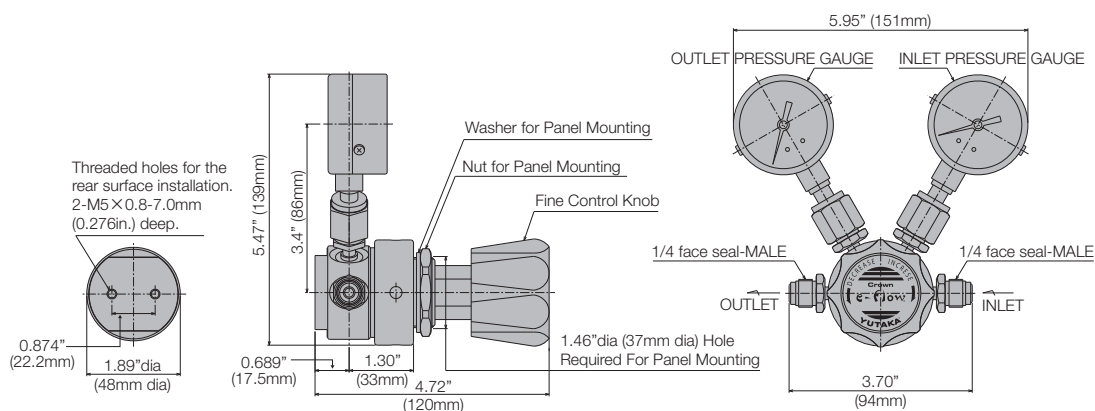
Flow characteristics



[NOTE]

- These tests were performed at ambient conditions.

Outline drawing



[NOTE]
 · Dimensions are in inches and (mm) for reference only.
 · Face to face length of the male and female are the same.
 · Subject to change without notice.

Materials of construction

MODEL & TYPE	L20SS	L20SH	L20SS-CO
Wetted Parts			
Body	SUS316L		
Poppet & Seat Retainer	SUS316L	Hastelloy® C-22	SUS316L
Diaphragm	Hastelloy® C-22		SUS316L
Seat	PCTFE		
Spring	SUS316	Hastelloy® C-22	SUS316
Gasket to seal for gauge	Ni		SUS316
Non-wetted Parts			
Bonnet (A)	SUS316		
Bonnet (B)	Nickel Plated Brass		
Cap	SUS304		
Control Knob	ABS Resin		
O-ring	NBR		

Wetted surface finishes

Standard Ra (GRADE "B")	32µin. (0.80µm) or less
Optional Ra (GRADE "A")	7µin. (0.18µm) or less

Standard connections

1/4" face to face length of the male and female are the same. **3.70in. (94mm)**
 1/4" Tube stubs and other connections available as options.

[NOTE]
 · Any combination of Face Seal male and/or female fittings are available for inlet and outlet.
 · Size and configuration of pressure gauge port is 1/4" Face Seal male.

Ordering information

