

LL2 Series

RoHS Directive Products

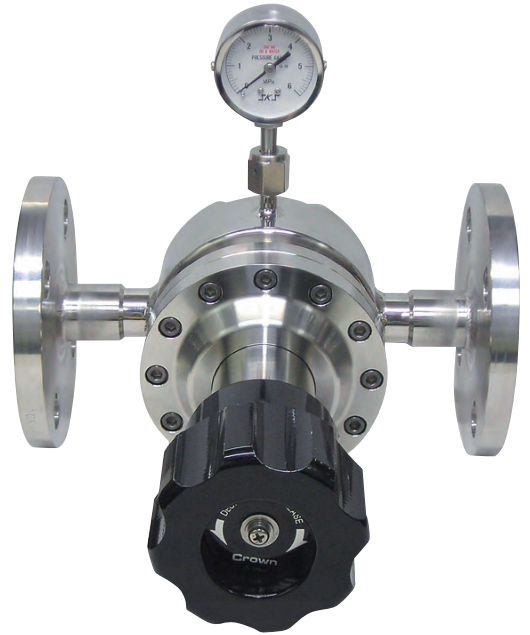
High Flow Rate Applications

Inlet Pressure	Max.2 MPaG (Max.290 PSIG)
Outlet Pressure	Max.0.8 MPaG (Max.116 PSIG)
Supply Pressure Effect	0.00162 MPaG (0.235 PSIG) per 0.1 MPaG (14.5 PSIG)
Proof Pressure	3.0 MPa (435 PSI)
CV	2.42
Temperature	-10°C to +40°C
Outboard Leakage	1×10^{-9} Pa · m ³ /sec · He (1×10^{-8} atm · cc/sec · He) (GRADE "B")
Approximate weight	12.2 kg (26 lbs. 14 oz.)
Installation	Threaded holes on the rear surface

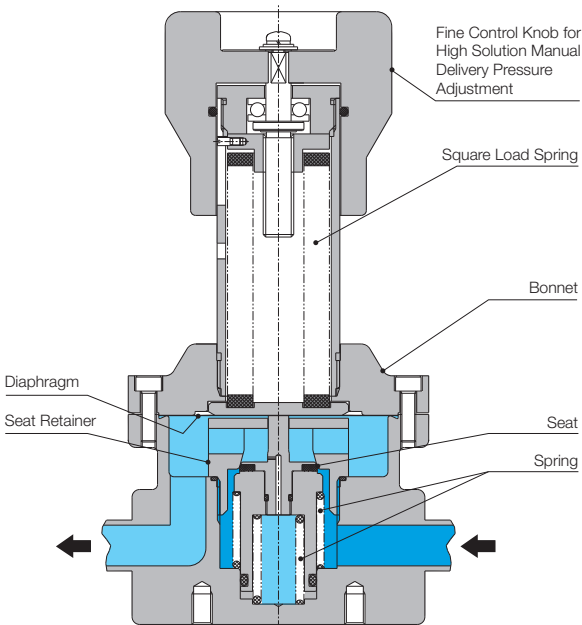
[NOTE]

1MPa = 10.2 kgf/cm² = 145.04 PSI

1MPa = 7504.36 mmHg = 295.4 inHg



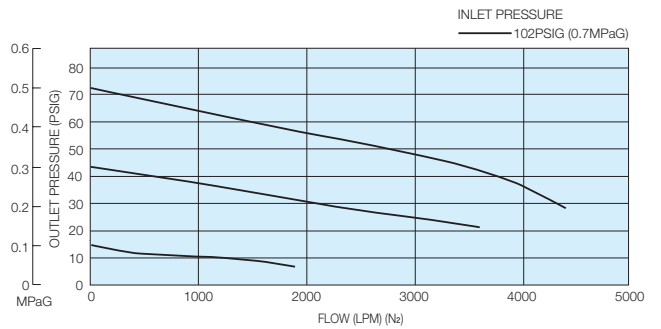
Cross sectional drawing



[NOTE]

· Avoid turning the control knob excessively.

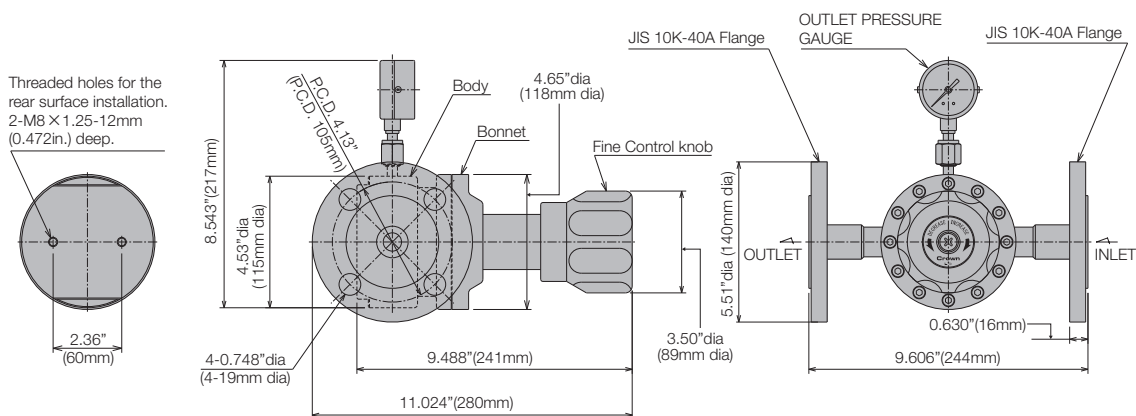
Flow characteristics



[NOTE]

· These tests were performed at ambient conditions.

Outline drawing



[NOTE]

- Dimensions are in inches and (mm) for reference only.
- Face to face length of the male and female are the same.
- Subject to change without notice.

Materials of construction

MODEL & TYPE	LL2SS
Wetted Parts	
Body	SUS316L
Poppet & Seat Retainer	SUS316L
Diaphragm	Hastelloy® C-22
Seat	PTFE
Spring	SUS316
Gasket to seal for gauge	Ni
O-ring	PTFE FKM
Non-wetted Parts	
Bonnet	SUS304
Control Knob	A6063S

Wetted surface finishes

Standard Ra (GRADE "B")	32µin. (0.80µm) or less
Standard Ra (GRADE "C")	roughness on machined surface

Standard connections

JIS 10k-40A flange face to face length
9.606in. (244mm)

[NOTE]

- Any combination of Face Seal male and/or female fittings are available for inlet and outlet.
- Size and configuration of pressure gauge port is 1/4" Face Seal male.

Ordering information

