

# LM2-D Series

## Point-of-Use Auto Pressure Regulator

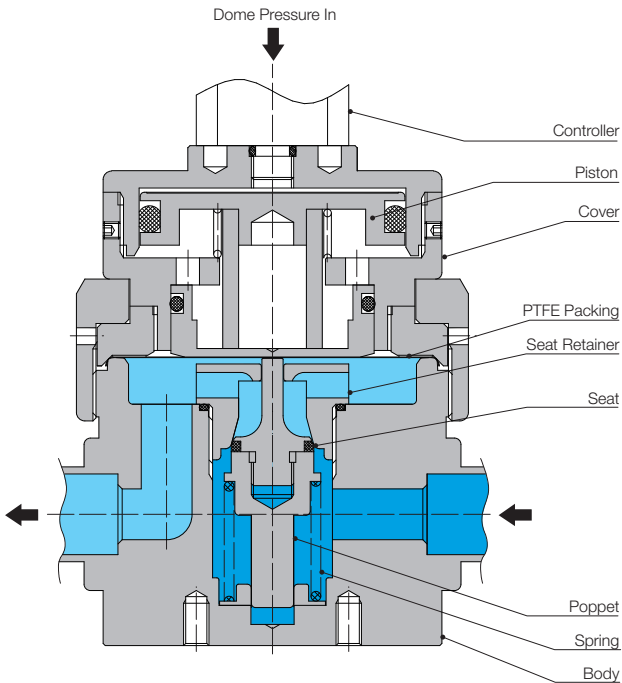
Inlet Pressure	Max.2 MPaG (Max.290 PSIG)
Outlet Pressure	Max.0.8 MPaG (Max.116 PSIG) (Pressure Range: 0~0.2 MPa, 0~0.4 MPa, 0~0.6 MPa, 0~0.8 MPa)
Pressure controller	YP100
Power source	DC24 V ±10%
Power consumption	200 mA or less
External communication	4-20 mA, RS485
Pressure sensor input	4-20 mA, 1-5 V
Air supply pressure	0.4~0.6 MPa
Air supply pressure connection	0.157" (4.0 mm) Push-In Fitting

[NOTE]

1MPa = 10.2 kgf/cm<sup>2</sup> = 145.04 PSI  
 1MPa = 7504.36 mmHg = 295.4 inHg



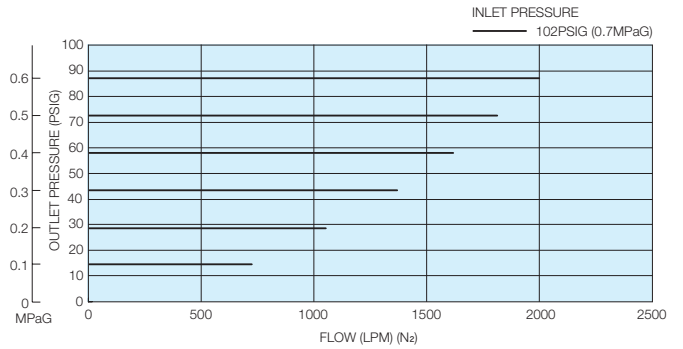
### Cross sectional drawing



[NOTE]

- Avoid turning the control knob excessively.
- No filter in this unit.

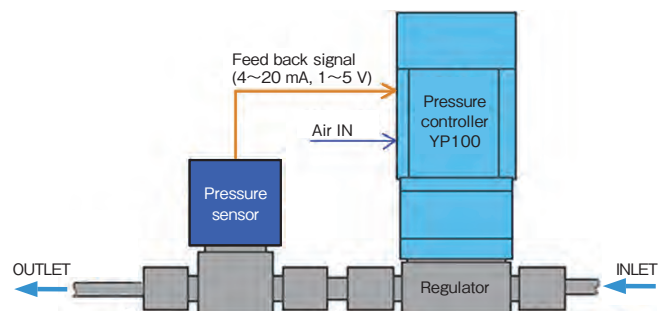
### Flow characteristics



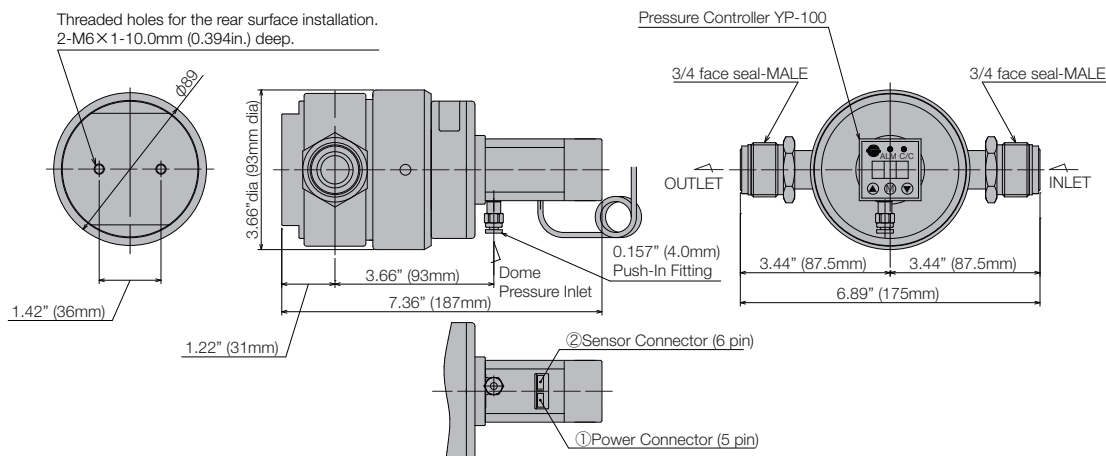
[NOTE]

· These tests were performed at ambient conditions.

### Example of use



## Outline drawing



[NOTE]

- Dimensions are in inches and (mm) for reference only.
- Face to face length of the male and female are the same.
- Subject to change without notice.

## Materials of construction

MODEL & TYPE	LM2-D
Wetted Parts	
Body	SUS316L
Poppet	SUS316L
Seat Retainer	SUS316L
Diaphragm (Metal to metal seal to atmosphere)	Hastelloy® C-22
Seat	PTFE
Spring	SUS316
Gasket to seal for gauge	Ni
Packing	PTFE
Non-wetted Parts	
Bonnet	C3604B
Pressure controller	YP100
O-ring	NBR

## Wetted surface finishes

Standard Ra (GRADE "B")	32µin. (0.80µm) or less
Standard Ra (GRADE "C")	7µin. (0.18µm) or less

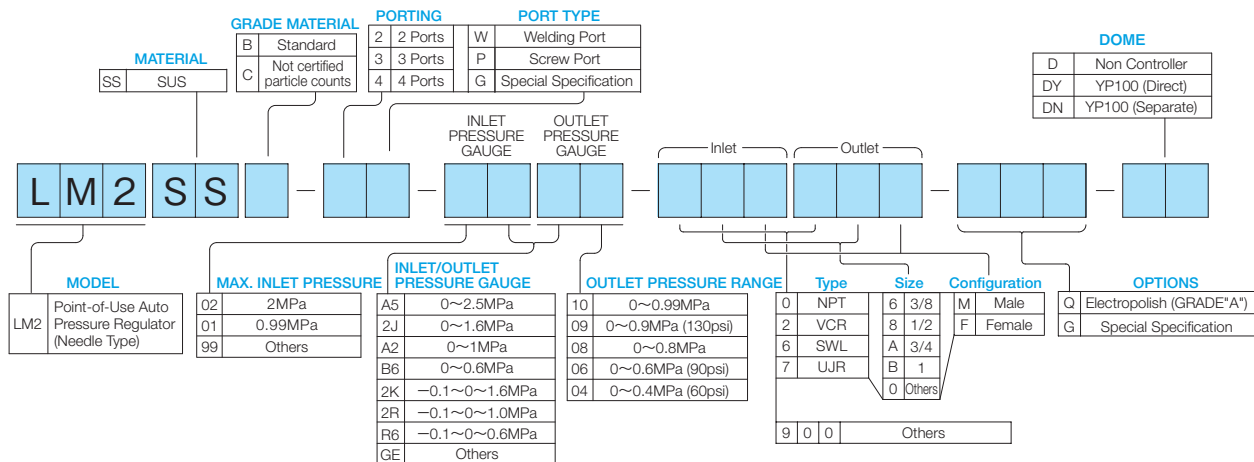
## Standard connections

1/2" NPT body length ..... 3.50in. (89mm)  
 3/4", 1/2" face to face length of the male and female are the same. .... 6.89in. (175mm)

[NOTE]

- Any combination of Face Seal male and/or female fittings are available for inlet and outlet.
- Size and configuration of pressure gauge port is 1/4" Face Seal male.

## Ordering information





TOTAL ENGINEERING OF GAS REGULATING EQUIPMENT  
**YUTAKA ENGINEERING CORPORATION**

ADDRESS : 5-17-5 KUGAHARA, OHTA-KU, TOKYO 146-0085, JAPAN  
PHONE : 81-3-3753-1651 FAX : 81-3-3751-5177  
<http://www.yutaka-crown.com>



An ISO 9001 Quality System Certified Company  
An ISO 14001 Environmental System Certified Company  
MITI Certified Self-Inspecting Manufacturer (No.MAB-472)  
MHW Certified Medical Equipment Manufacturer ((東用)No.2755)