

LM2 Series

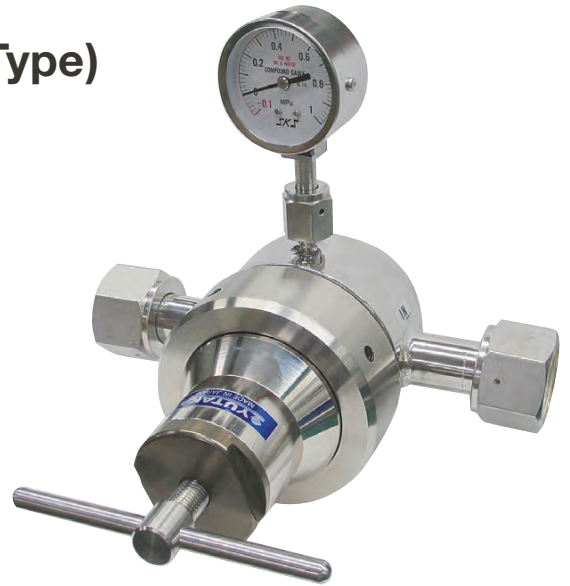
High Flow Rate Applications (Needle Type)

Inlet Pressure	Max.2 MPaG (Max.290 PSIG)
Outlet Pressure	Max.0.8 MPaG (Max.116 PSIG) (Pressure Range: 0~0.2 MPa, 0~0.4 MPa, 0~0.6 MPa, 0~0.8 MPa)
Supply Pressure Effect	0.016 MPaG (2.32 PSIG) per 0.1 MPaG (14.5 PSIG)
Proof Pressure	3.0 MPa (435 PSI), 1.5 MPa (Outlet Side)
CV	1.69
Temperature	-10°C to +40°C
Outboard Leakage	Welding (W): $1 \times 10^{-11} \text{ Pa} \cdot \text{m}^3 / \text{sec} \cdot \text{He}$ ($1 \times 10^{-10} \text{ atm} \cdot \text{cc} / \text{sec} \cdot \text{He}$) Screw (P): $1 \times 10^{-9} \text{ Pa} \cdot \text{m}^3 / \text{sec} \cdot \text{He}$ ($1 \times 10^{-8} \text{ atm} \cdot \text{cc} / \text{sec} \cdot \text{He}$)
Approximate weight	5.0 kg (11 lbs. 0 oz.)
Installation	Threaded holes on the rear surface

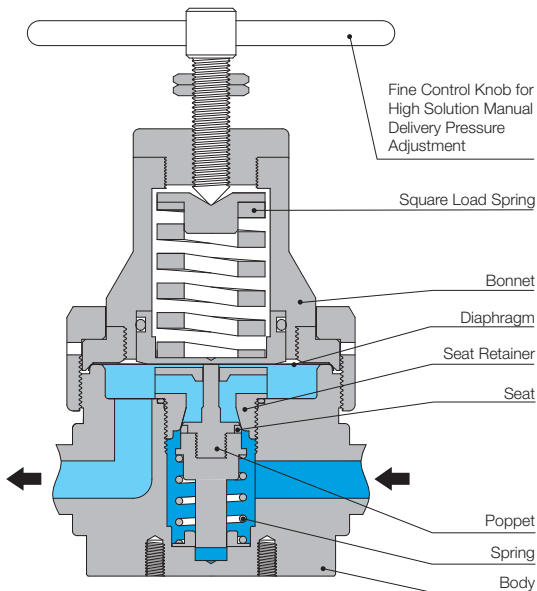
[NOTE]

1MPa = 10.2 kgf/cm² = 145.04 PSI

1MPa = 7504.36 mmHg = 295.4 inHg



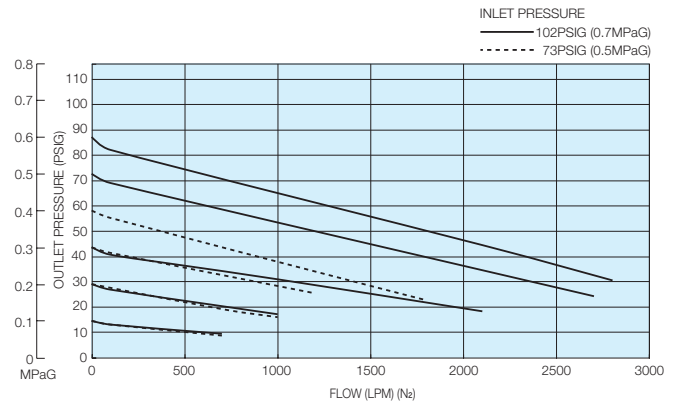
Cross sectional drawing



[NOTE]

- Avoid turning the control knob excessively.
- No filter in this unit.

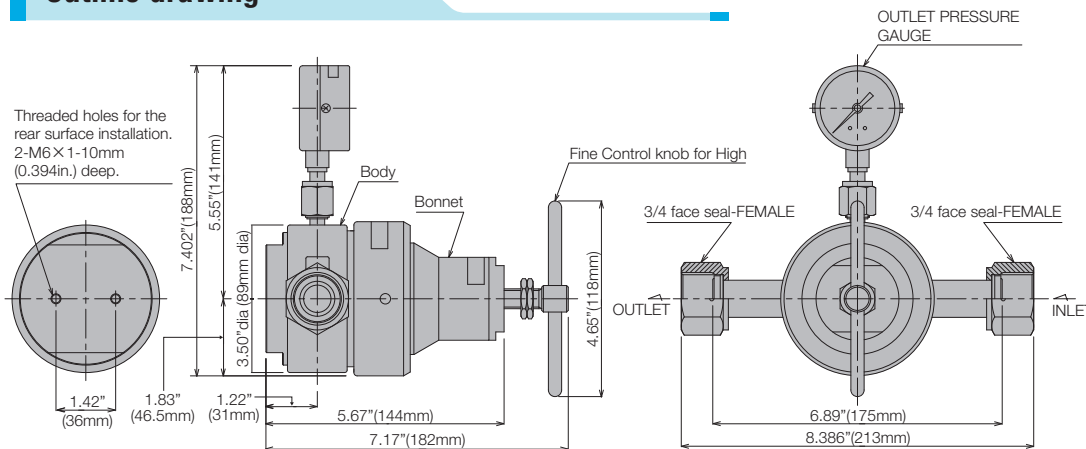
Flow characteristics



[NOTE]

- These tests were performed at ambient conditions.

Outline drawing



[NOTE]
 · Dimensions are in inches and (mm) for reference only.
 · Face to face length of the male and female are the same.
 · Subject to change without notice.

Materials of construction

MODEL & TYPE	LM2SSB	LM2SSC
Wetted Parts		
Body	SUS316L	
Poppet & Seat Retainer	SUS316L	
Diaphragm	Hastelloy® C-22	
Seat	PTFE	
Spring	SUS316	
Gasket to seal for gauge	Ni	
Gasket	PTFE	
Non-wetted Parts		
Bonnet	Nickel Plated Brass	
Control Knob	SUS304	
O-ring	NBR	

Wetted surface finishes

Standard Ra (GRADE "B")	32µin. (0.80µm) or less
Standard Ra (GRADE "C")	roughness on machined surface

Standard connections

1/2" NPT body length 3.50in. (89mm)
 3/4", 1/2" face to face length of the male and female are the same. 6.89in. (175mm)

[NOTE]
 · Any combination of Face Seal male and/or female fittings are available for inlet and outlet.
 · Size and configuration of pressure gauge port is 1/4" Face Seal male.

Ordering information

