

# R36 Series

## Medium Flow Rate Applications

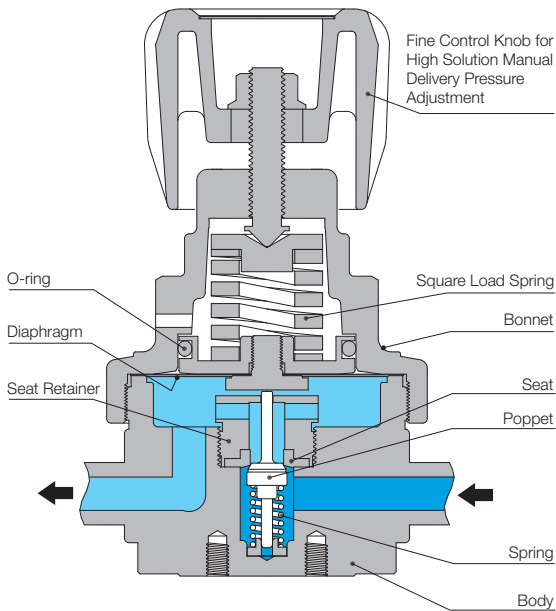
|                        |  |
|------------------------|--|
| Inlet Pressure         | Max.2 MPaG (Max.290 PSIG)  |
| Outlet Pressure        | Max.0.99 MPaG (Max.144 PSIG)<br>(Pressure Range: 0~0.2 MPa, 0~0.4 MPa, 0~0.6 MPa, 0~0.99 MPa)  |
| Supply Pressure Effect | 0.0034 MPaG (0.49 PSIG) per 0.1 MPaG (14.5 PSIG)   |
| Proof Pressure         | 9 MPa (1,305 PSI)  |
| CV                     | 0.62   |
| Temperature            | -10°C to +40°C   |
| Outboard Leakage       | Screw (P); $1 \times 10^{-9} \text{ Pa} \cdot \text{m}^3/\text{sec} \cdot \text{He}$ ( $1 \times 10^{-8} \text{ atm} \cdot \text{cc}/\text{sec} \cdot \text{He}$ )<br>Welding (W); $1 \times 10^{-11} \text{ Pa} \cdot \text{m}^3/\text{sec} \cdot \text{He}$ ( $1 \times 10^{-10} \text{ atm} \cdot \text{cc}/\text{sec} \cdot \text{He}$ ) |
| Approximate weight     | 1.7 kg (3 lbs. 12 oz.)   |
| Installation           | Threaded holes on the surface<br>(OPTIONS: Surface panel mounting)   |



[NOTE]

1MPa = 10.2 kgf/cm<sup>2</sup> = 145.04 PSI  
1MPa = 7504.36 mmHg = 295.4 inHg

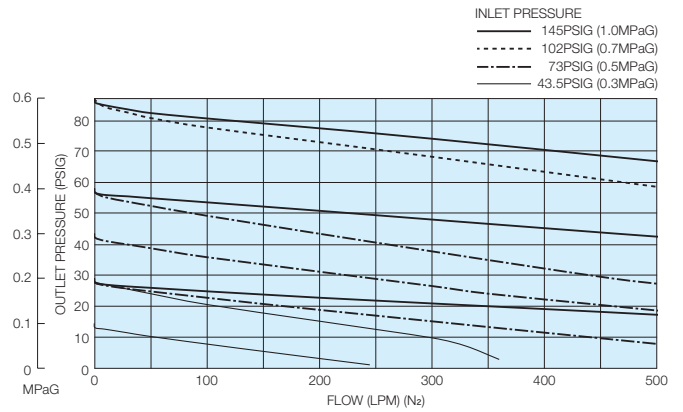
### Cross sectional drawing



[NOTE]

- Avoid turning the control knob excessively.
- No filter in this unit.

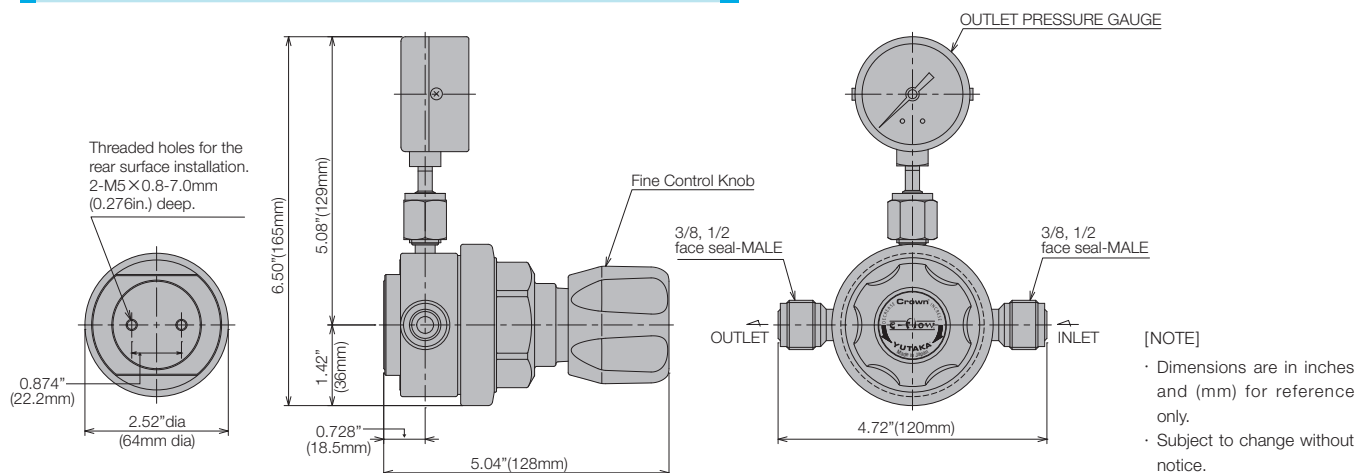
### Flow characteristics



[NOTE]

· These tests were performed at ambient conditions.

**Outline drawing**



**Materials of construction**

| MODEL & TYPE             | R36SS               | R36SS-CO |
|--------------------------|---------------------|----------|
| <b>Wetted Parts</b>      |                     |          |
| Body                     | SUS316L             |          |
| Poppet & Seat Retainer   | SUS316L             |          |
| Diaphragm                | SUS316L             |          |
| Seat                     | PCTFE               |          |
| Spring                   | SUS316              |          |
| Gasket                   | PTFE                |          |
| Gasket to seal for gauge | Ni                  | SUS316   |
| <b>Non-wetted Parts</b>  |                     |          |
| Bonnet                   | Nickel Plated Brass |          |
| Control Knob             | ABS Resin           |          |
| O-ring                   | NBR                 |          |

**Wetted surface finishes**

|                                   |                         |
|-----------------------------------|-------------------------|
| <b>Standard Ra</b><br>(GRADE "B") | 32µin. (0.80µm) or less |
| <b>Optional Ra</b><br>(GRADE "A") | 7µin. (0.18µm) or less  |

**Standard connections**

3/8" NPT body length ..... 2.52in. (64mm)  
 3/8", 1/2" face to face length of the male and female are the same. .... 4.72in. (120mm)  
 3/8" sus tube fitting length ..... 5.24in. (133mm)

**[NOTE]**  
 · Any combination of Face Seal male and/or female fittings are available for inlet and outlet.  
 · Size and configuration of pressure gauge port is 1/4" Face Seal male.

**Ordering information**

| SERIES   | MATERIAL | GRADE | PORTING | PORT TYPE | INLET PRESSURE GAUGE |                             |              | OUTLET PRESSURE GAUGE |          |          | Inlet |                           |                       | Outlet |  |  | OPTIONS |  |  |
|----------|----------|-------|---------|-----------|----------------------|-----------------------------|--------------|-----------------------|----------|----------|-------|---------------------------|-----------------------|--------|--|--|---------|--|--|
| R        | SS       | A     | 2       | W         |                      |                             |              |                       |          |          |       |                           |                       |        |  |  |         |  |  |
| R Series | SUS      | B     | 3       | P         | MAX. INLET PRESSURE  | INLET/OUTLET PRESSURE GAUGE |              | OUTLET PRESSURE RANGE |          | Type     | Size  | Configuration             | OPTIONS               |        |  |  |         |  |  |
|          |          | C     | 4       | G         | 02 2MPa              | 6B 0~6MPa                   | 10 0~0.99MPa | 0 NPT                 | 4 1/4    | M Male   | 2     | IN/OUT Reverse Position   |                       |        |  |  |         |  |  |
|          |          |       |         |           | 01 0.99MPa           | A5 0~2.5MPa                 | 06 0~0.6MPa  | 2 VCR                 | 6 3/8    | F Female | Q     | Electropolish (GRADE "A") |                       |        |  |  |         |  |  |
|          |          |       |         |           |                      | 2J 0~1.6MPa                 | 04 0~0.4MPa  | 3 S-JSK               | 0 Others |          | M     | Surface Panel Mounting    |                       |        |  |  |         |  |  |
|          |          |       |         |           |                      | 2K -0.1~0~1.6MPa            | 02 0~0.2MPa  | 4 JSK                 |          |          |       |                           |                       |        |  |  |         |  |  |
|          |          |       |         |           |                      | 2R -0.1~0~1.0MPa            |              | 6 SWL                 |          |          |       |                           |                       |        |  |  |         |  |  |
|          |          |       |         |           |                      | R6 -0.1~0~0.6MPa            |              | 7 UJR                 |          |          |       |                           |                       |        |  |  |         |  |  |
|          |          |       |         |           |                      | R3 -0.1~0~0.3MPa            |              | 9 0 0                 | Others   |          |       |                           |                       |        |  |  |         |  |  |
|          |          |       |         |           |                      | GE Others                   |              |                       |          |          |       |                           |                       |        |  |  |         |  |  |
|          |          |       |         |           |                      |                             |              |                       |          |          |       | G                         | Special Specification |        |  |  |         |  |  |

**MODEL**  
 36 Point-of-Use Pressure Regulator