

R72 Series

High Delivery Pressure Regulator

Inlet Pressure	Max.21 MPaG (Max.3046 PSIG)
Outlet Pressure	Max.15 MPaG (Max.2176 PSIG) (Pressure Range:0~4 MPa, 0~6 MPa, 0~10 MPa, 0~15 MPa)
Supply Pressure Effect	0.007 MPaG (0.1 PSIG) per 0.1 MPaG (14.5 PSIG)
Proof Pressure	31.5 MPa (4567 PSIG), 22.5 MPa (Outlet Side)
Temperature	-10°C to +40°C
Outboard Leakage	Screw (P); $1 \times 10^{-9} \text{ Pa} \cdot \text{m}^3/\text{sec} \cdot \text{He}$ ($1 \times 10^{-8} \text{ atm} \cdot \text{cc}/\text{sec} \cdot \text{He}$) Welding (W); $1 \times 10^{-11} \text{ Pa} \cdot \text{m}^3/\text{sec} \cdot \text{He}$ ($1 \times 10^{-10} \text{ atm} \cdot \text{cc}/\text{sec} \cdot \text{He}$)
Internal Volume	3.66 cc (0.22 in ³) w/o fittings
Approximate weight	1.9 kg (4 lbs. 3 oz.)
Installation	Threaded holes on the rear surface or Panel mounting

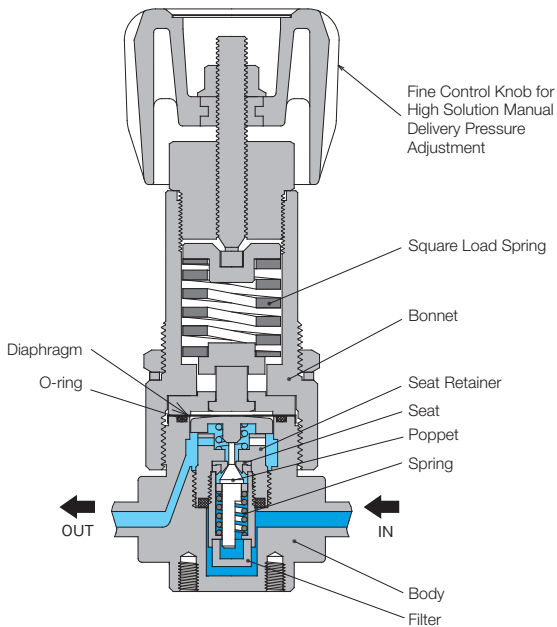


[NOTE]

1MPa = 10.2 kgf/cm² = 145.04 PSI

1MPa = 7504.36 mmHg = 295.4 inHg

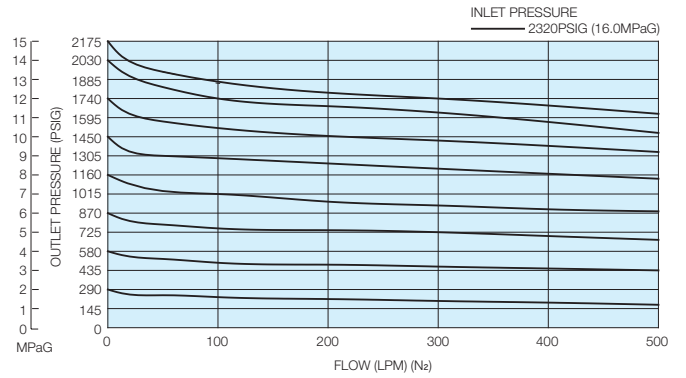
Cross sectional drawing



[NOTE]

· Avoid turning the control knob excessively.

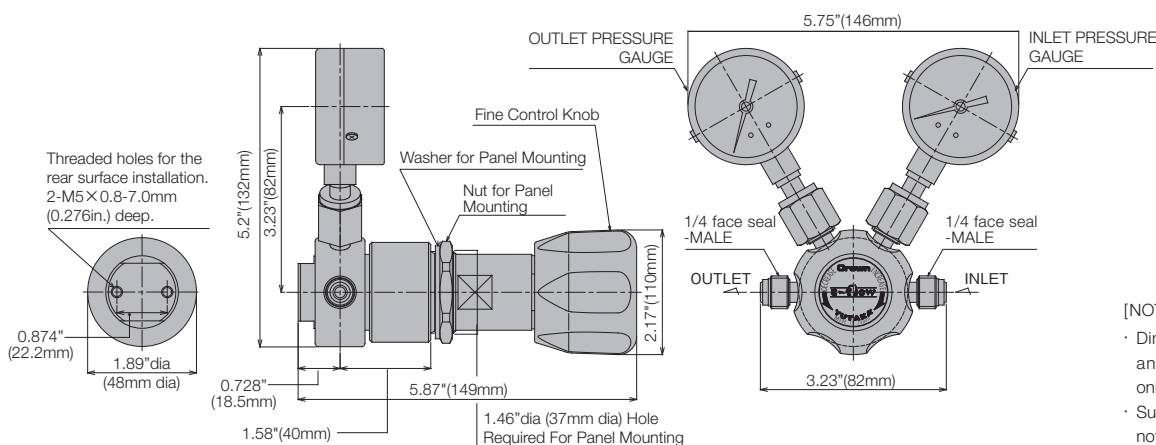
Flow characteristics



[NOTE]

· These tests were performed at ambient conditions.

Outline drawing



[NOTE]
 · Dimensions are in inches and (mm) for reference only.
 · Subject to change without notice.

Materials of construction

MODEL & TYPE	R72SS	R72SS-CO
Wetted Parts		
Body		SUS316L
Poppet		SUS316L
Seat Retainer		SUS316
Diaphragm		SUS316L
Seat		PCTFE
Spring		SUS316
Gasket		PTFE
Gasket to seal for gauge	Ni	SUS316
Non-wetted Parts		
Bonnet		SUS304
Control Knob		SUS304

Wetted surface finishes

Standard Ra (GRADE "B"&"C")	32µin. (0.80µm) or less
Optional Ra (GRADE "A")	7µin. (0.18µm) or less

Standard connections

1/4" NPT body length 1.93in. (48mm)
 1/4" face to face length of the male and female are the same. (Male) 3.23in. (82mm)
 1/4" face to face length of the male and female are the same. (Female) 3.90in. (99mm)
 1/4" sus tube fitting length 4.37in. (111mm)

[NOTE]
 · Any combination of Face Seal male and/or female fittings are available for inlet and outlet.
 · Size and configuration of pressure gauge port is 1/4" Face Seal male.

Ordering information

