

RH1 Series

High Flow Rate Applications

Inlet Pressure	Max.6 MPaG (Max.870 PSIG)
Outlet Pressure	Max.0.99 MPaG (Max.144 PSIG) (Pressure Range: 0~0.2 MPa, 0~0.4 MPa, 0~0.6 MPa, 0~0.99 MPa)
Supply Pressure Effect	0.0019 MPaG (0.28 PSIG) per 0.1 MPaG (14.5 PSIG)
Proof Pressure	9.0 MPa (1,305 PSI)
CV	0.69
Temperature	-10°C to +40°C
Outboard Leakage	Screw (P); $1 \times 10^{-9} \text{ Pa} \cdot \text{m}^3/\text{sec} \cdot \text{He}$ ($1 \times 10^{-8} \text{ atm} \cdot \text{cc}/\text{sec} \cdot \text{He}$) Welding (W); $1 \times 10^{-11} \text{ Pa} \cdot \text{m}^3/\text{sec} \cdot \text{He}$ ($1 \times 10^{-10} \text{ atm} \cdot \text{cc}/\text{sec} \cdot \text{He}$)
Internal Volume	47.2 cc (2.85 in ³) w/o fittings
Approximate weight	2.7 kg (5 lbs. 15 oz.)
Installation	Threaded holes on the rear surface or Panel mounting

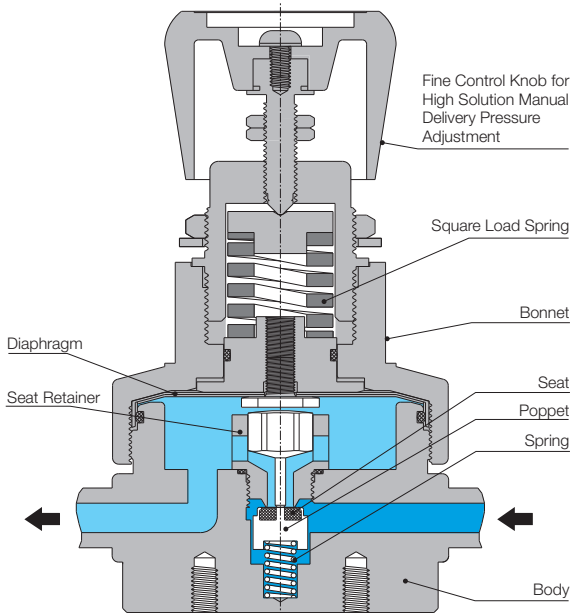
[NOTE]

1MPa = 10.2 kgf/cm² = 145.04 PSI

1MPa = 7504.36 mmHg = 295.4 inHg



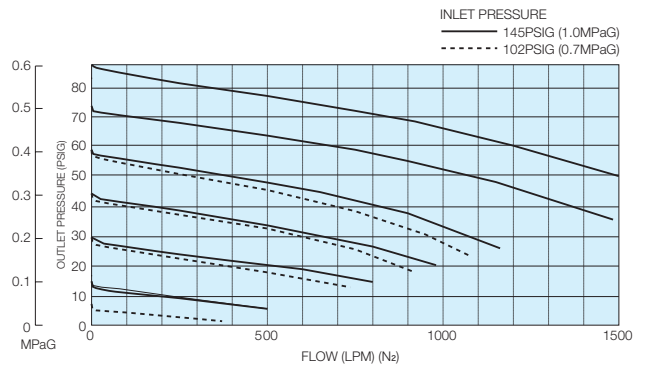
Cross sectional drawing



[NOTE]

- Avoid turning the control knob excessively.
- No filter in this unit.

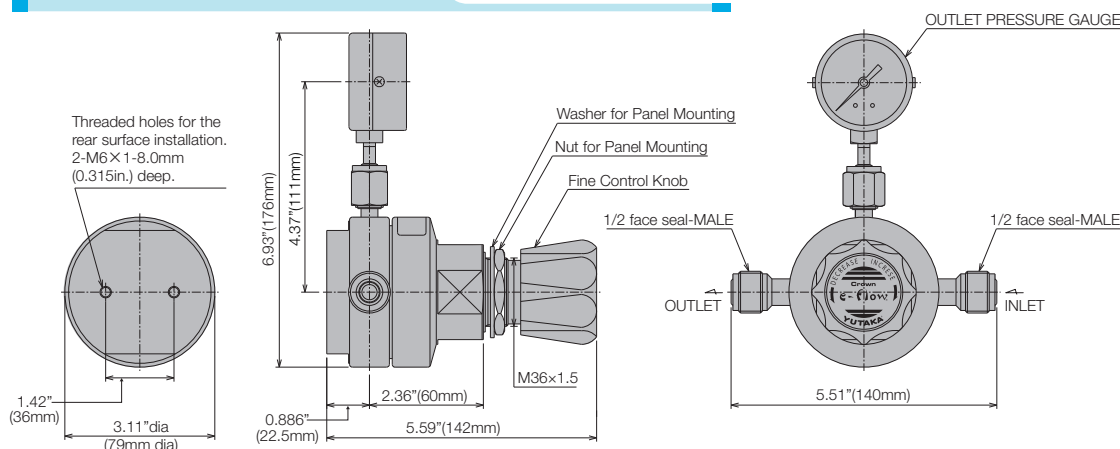
Flow characteristics



[NOTE]

- These tests were performed at ambient conditions.

Outline drawing



Materials of construction

MODEL & TYPE	RH1SS	RH1SH
Wetted Parts		
Body	SUS316L	
Poppet & Seat Retainer	SUS316	Hastelloy® C-22
Diaphragm	SUS316L	
Seat	PTFE	
Spring	SUS316	
Gasket	PTFE	
Gasket to seal for gauge	Ni	
Non-wetted Parts		
Bonnet	Chromium Plated Brass	
Control Knob	ABS Resin	
O-ring	NBR	

Wetted surface finishes

Standard Ra (GRADE "B"&"C")	32µin. (0.80µm) or less
Optional Ra (GRADE "A")	7µin. (0.18µm) or less

Standard connections

3/8" NPT body length 3.11 in. (79mm)
 3/8", 1/2" face to Face length of the male and female are the same. 5.51 in. (140mm)
 3/8", 1/2" Tube stubs and other connections available as options.

[NOTE]

- Any combination of Face Seal male and/or female fittings are available for inlet and outlet.
- Size and configuration of pressure gauge port is 1/4" Face Seal male.

Ordering information

