

RLD Series

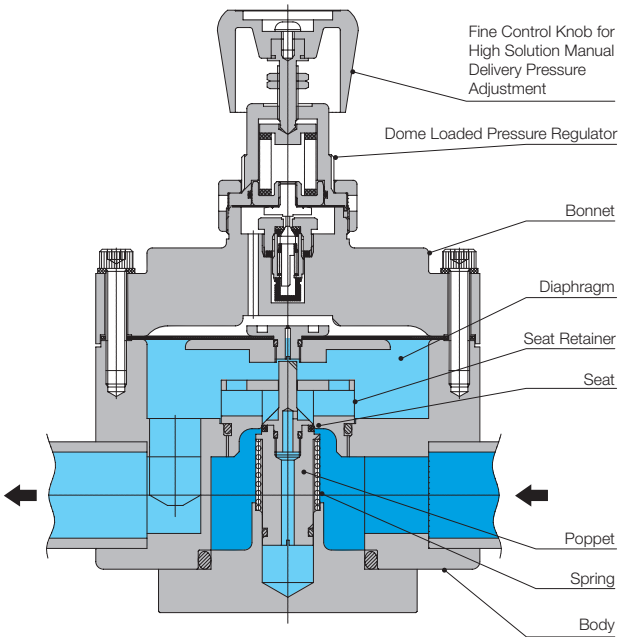
Dome Loaded Pressure Regulator Designed for Remote Operation in High Flow Rate Applications



Inlet Pressure	Max.2 MPaG (Max.290 PSIG)
Outlet Pressure	Max.0.8 MPaG (Max.116 PSIG)
CV	11.3
Approximate weight	19 kg (41 lbs. 14 oz.)

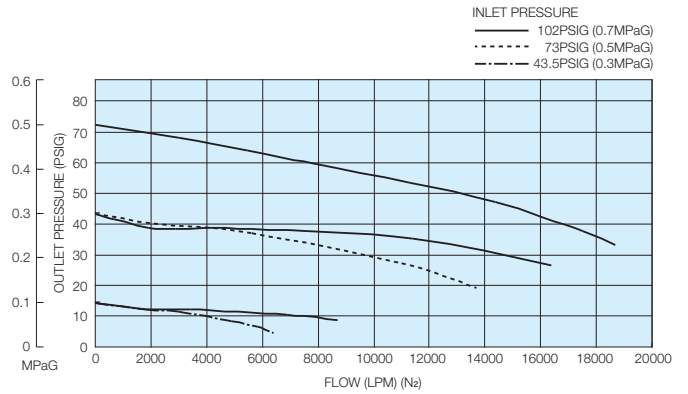
[NOTE]
 1MPa = 10.2 kgf/cm² = 145.04 PSI
 1MPa = 7504.36 mmHg = 295.4 inHg

Cross sectional drawing



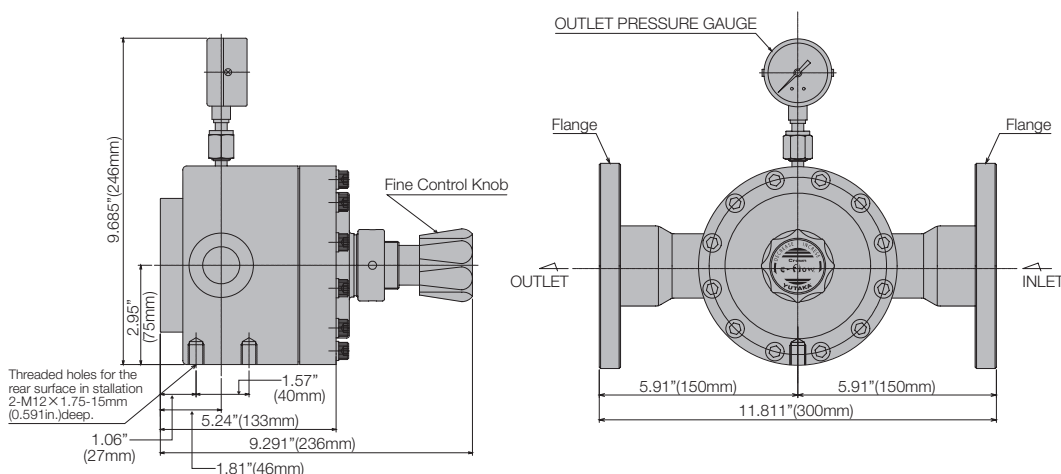
[NOTE]
 · Avoid turning the control knob excessively.
 · No filter in this unit.

Flow characteristics



[NOTE]
 · These tests were performed at ambient conditions.

Outline drawing



[NOTE]

- Dimensions are in inches and (mm) for reference only.
- Face to face length of the male and female are the same.
- Subject to change without notice.

Materials of construction

MODEL & TYPE	RLDSS
Wetted Parts	
Body	SUS316
Poppet & Seat Retainer	SUS316
Diaphragm	GYLON®
Seat	PTFE
Spring	SUS316
Gasket to seal for gauge	Ni
O-ring	VITON®
Non-wetted Parts	
Bonnet	SUS316
Control Knob	ABS Resin

Wetted surface finishes

Standard Ra (GRADE "C")	roughness on machined surface
-------------------------	-------------------------------

Standard connections

JIS 10k-40A flange face to face length

11.81in. (300mm)

JIS 10k-50A flange face to face length

11.81in. (300mm)

[NOTE]

- Any combination of Face Seal male and/or female fittings are available for inlet and outlet.
- Size and configuration of pressure gauge port is 1/4" Face Seal male.

Ordering information

