

FCR-226 Series

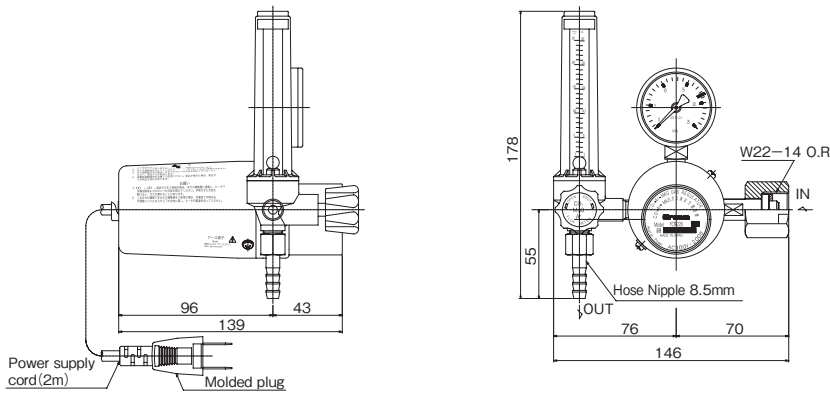
For Cylinder, Two-Stage Pressure Regulator

Specifications

Applicable gas	MAG、Ar、CO ₂ (Ar 80%、CO ₂ 20%)	Proof Pressure	0.25MPa
Inlet Pressure Gauge	25MPa	Inlet Connection	W22-14 O.R.
Inlet Pressure	Ar、MAG : 14.8MPa or less CO ₂ : 12MPa or less	Outlet Connection	Hose Nipple 8.5mm
Outlet Pressure	0.25MPa	Heater capacity	200W
Flow Range	1 ~ 25L/min (MAG · Ar/CO ₂ Dual Scale)	Heater Voltage	100V
Type of Flowmeter	OUT	Power supply cord	2m
		Accessories	Gasket Packing(Fiber)×2Pcs.
		Approximate Weight	2.2kg

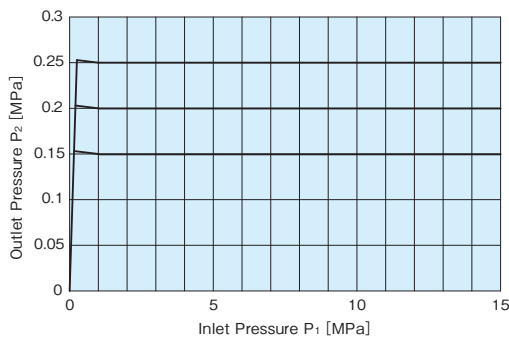


Outline drawing



[Note]
■ Unit: mm
■ Dimensions are subject to change without notice.

Supply pressure effect characteristics



Materials of construction

Body	C3771BE
Bonnet	66-Nylon
Poppet	C3604BD
Seat	PCTFE, PFA
Safety valve seat	NBR
O Ring	FKM, NBR

[Note]
■ These tests were performed at ambient conditions.

List of specifications

Series	Inlet Pressure Gauge MPa	Flowmeter				Heater capacity	Plug	Inlet Connection	Outlet Connection
		Applicable gas	Flow L/min	Type of Flowmeter	Proof Pressure MPa				
FCR-226	25	MAG, Ar/CO ₂ (Dual Scale)	25	OUT	0.25	AC100V-190W	2P	W22(R)	Hose Nipple 8.5mm
	25	Ar	25	OUT	0.25	AC100V-190W	2P	W22(R)	Hose Nipple 8.5mm
	25	CO ₂	25	OUT	0.25	AC100V-190W	2P	W22(R)	Hose Nipple 8.5mm