

FR-IH-OP Series

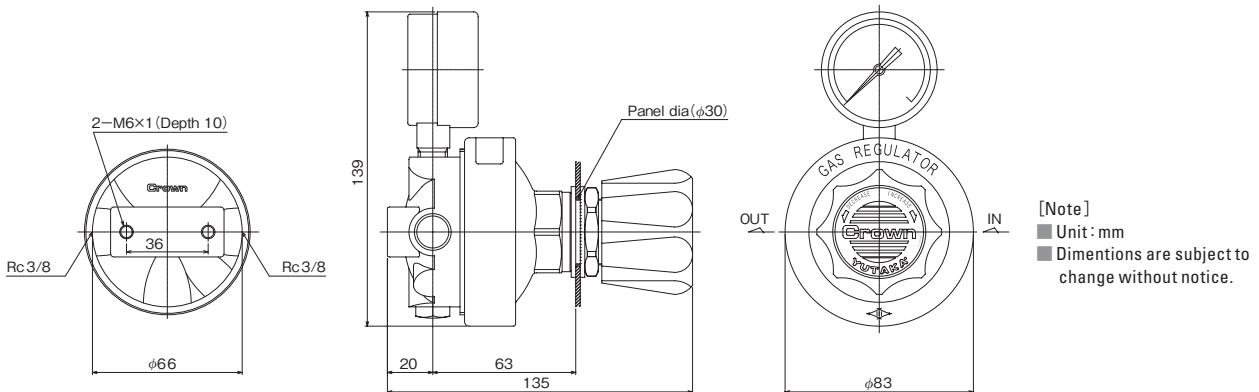
For Line, Medium Flow Pressure Regulator

Specifications

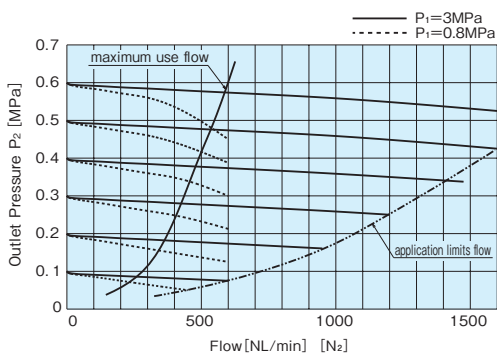
Outlet Pressure Gauge	1MPa	Outlet Connection	Rc3/8
Inlet Pressure	3MPa or less	Accessories	Nil
Outlet Pressure	0 ~ 0.6MPa	Approximate Weight	1.6kg
Inlet Connection	Rc3/8		



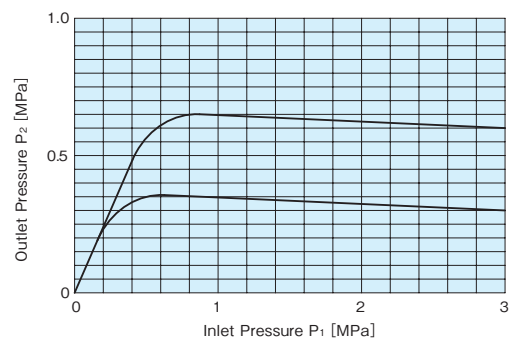
Outline drawing



Flow characteristics



Supply pressure effect characteristics



[Note]
■ These tests were performed at ambient conditions.

Materials of construction

Body	C3771BE
Bonnet	ADC
Poppet	C3604BD
Seat	NBR
Diaphragm	NBR
Safety valve seat	NBR

List of specifications

Series	Outlet Pressure Gauge MPa	Inlet Connection	Outlet Connection
FR-IH-OP	0.6	Rc3/8	Rc3/8
	1	Rc3/8	Rc3/8
	0.6	3/8 SUS Pipe Nipple	3/8 SUS Pipe Nipple
	1	3/8 SUS Pipe Nipple	3/8 SUS Pipe Nipple
	0.6	Rc3/8	Hose Nipple 8.5 mm
	1	Rc3/8	Hose Nipple 8.5 mm