

# FR-ILS-OP Series

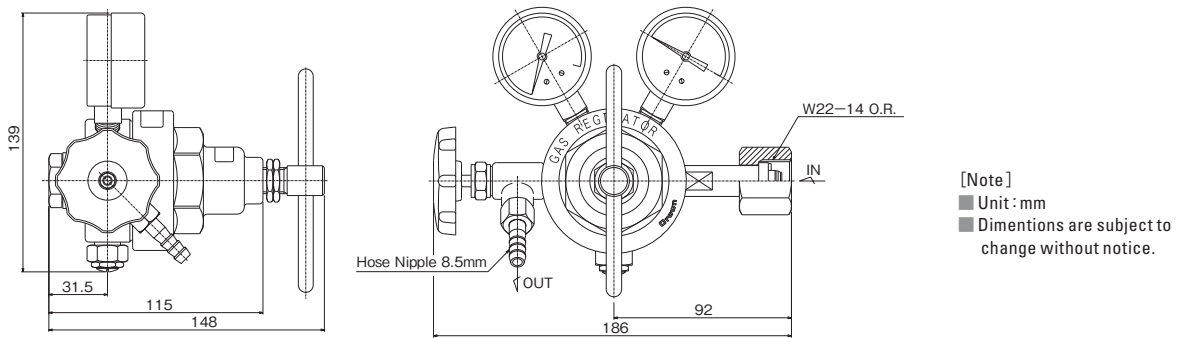
## For Cylinder, High Flow Single-Stage Pressure Regulator

### Specifications

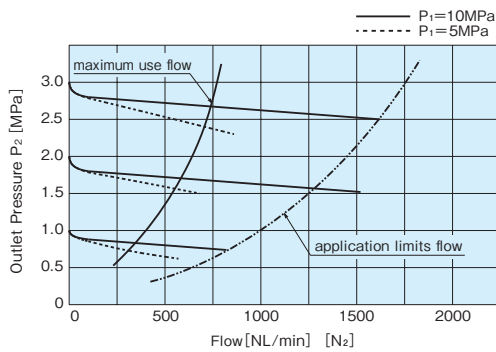
Inlet Pressure Gauge	25MPa	Inlet Connection	W22-14 O.R.
Outlet Pressure Gauge	6MPa	Outlet Connection	Hose Nipple 8.5mm
Inlet Pressure	14.8MPa or less	Accessories	Gasket Packing(Fiber)×2Pcs.
Outlet Pressure	0 ~ 3.5MPa	Approximate Weight	2.5kg



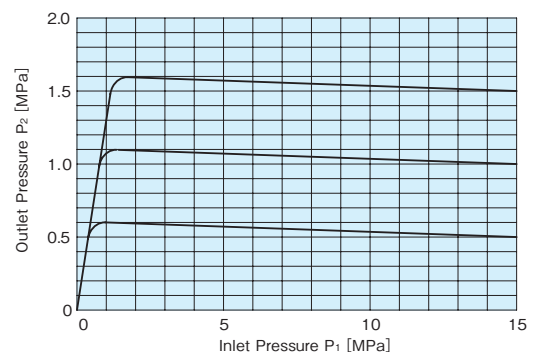
### Outline drawing



### Flow characteristics



### Supply pressure effect characteristics



### Materials of construction

Body	C3771BE
Bonnet	C3771BE
Poppet	C3604BD
Seat	PCTFE
Diaphragm	NBR
Safety valve seat	NBR

### List of specifications

Series	Inlet Pressure Gauge MPa	Outlet Pressure Gauge MPa	Inlet Connection	Outlet Connection
FR-ILS-OP	25	2.5	W22 (R)	Hose Nipple 8.5 mm
	25	4	W22 (R)	Hose Nipple 8.5 mm
	25	6	W22 (R)	Hose Nipple 8.5 mm
	25	2.5	W22 (R)	Rc1/4
	25	4	W22 (R)	Rc1/4
	25	6	W22 (R)	Rc1/4

General industrial use

Flowmeter

Gas Mixer

Medical use