

FR-IP Series

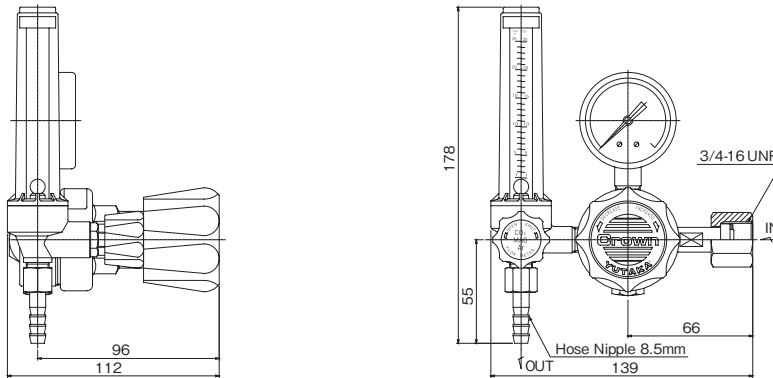
For Line Pressure Regulator

Specifications

Outlet Pressure Gauge	0.6MPa	Proof Pressure	0.2MPa
Inlet Pressure	0.99MPa or less	Inlet Connection	3/4-16UNF
Outlet Pressure	0~0.4MPa	Outlet Connection	Hose Nipple 8.5mm
Flow Range	1~25L/min	Accessories	Nil
Type of Flowmeter	OUT	Approximate Weight	1.4kg

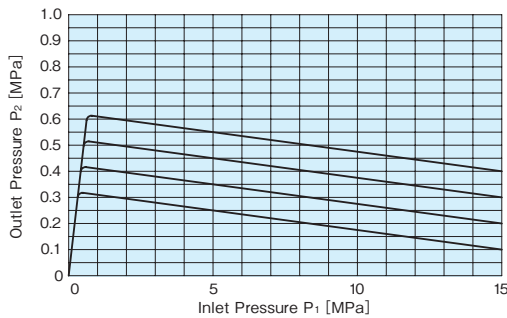


Outline drawing



[Note]
 ■ Unit : mm
 ■ Dimensions are subject to change without notice.

Supply pressure effect characteristics



[Note]
 ■ These tests were performed at ambient conditions.

Materials of construction

Body	C3604 BD
Bonnet	ZDC
Poppet	C3604 BD
Seat	NBR
Diaphragm	NBR
Safety valve seat	NBR

List of specifications

Series	Outlet Pressure Gauge MPa	Flowmeter				Inlet Connection	Outlet Connection
		Applicable gas	Flow L/min	Type of Flowmeter	Proof Pressure MPa		
FR-IP	0.6	MAG, Ar/CO2 Dual scale	25	OUT	0.2	3/4-16 UNF	Hose Nipple 8.5 mm
	0.6	Ar	25	OUT	0.25	3/4-16 UNF	Hose Nipple 8.5 mm
	0.6	Ar	25	OUT	0.2	3/4-16 UNF	Hose Nipple 8.5 mm
	0.6	N ₂	25	OUT	0.2	3/4-16 UNF	Hose Nipple 8.5 mm
	0.6	O ₂	25	OUT	0.2	3/4-16 UNF	Hose Nipple 8.5 mm