

FR-II L Series

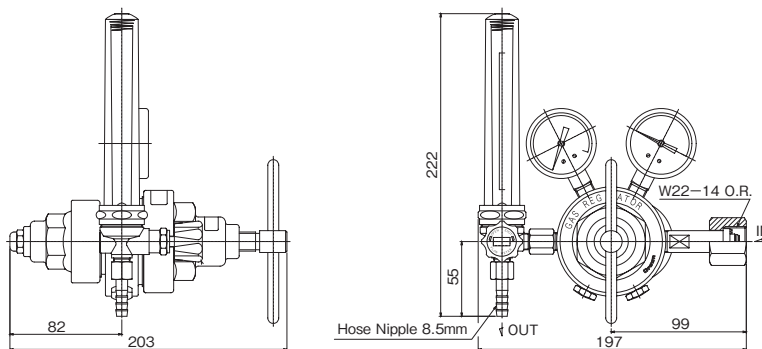
For Cylinder, Medium Flow Two-Stage Pressure Regulator

Specifications

Inlet Pressure Gauge	25MPa	Proof Pressure	0.5MPa
Outlet Pressure Gauge	1MPa	Inlet Connection	W22-14 O.R.
Inlet Pressure	14.8MPa or less	Outlet Connection	Hose Nipple 8.5mm
Outlet Pressure	0 ~ 0.6MPa	Accessories	Gasket Packing(Fiber)×2Pcs.
Flow Range	10 ~ 100L/min	Approximate Weight	3.5kg
Type of Flowmeter	OUT		

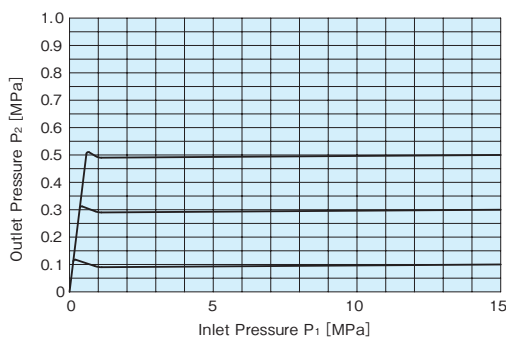


Outline drawing



[Note]
 ■ Unit : mm
 ■ Dimintions are subject to change without notice.

Supply pressure effect characteristics



Materials of construction

Body	C3771 BE
Bonnet	C3771 BE
Poppet	C3604 BD
Inlet Pressure Seat	PCTFE
Outlet Pressure Seat	NBR
Diaphragm	NBR
Safety valve seat	CR

[Note]
 ■ These tests were performed at ambient conditions.

List of specifications

Series	Inlet Pressure Gauge MPa	Outlet Pressure Gauge MPa	Flowmeter				Inlet Connection	Outlet Connection
			Applicable gas	Flow L/min	Type of Flowmeter	Proof Pressure MPa		
FR-II L	25	1	Ar	50	OUT	0.3	W22 (R)	Hose Nipple 8.5 mm
	25	1	N ₂	50	OUT	0.3	W22 (R)	Hose Nipple 8.5 mm
	25	1	O ₂	50	OUT	0.3	W22 (R)	Hose Nipple 8.5 mm
	25	1	Ar	100	OUT	0.5	W22 (R)	Hose Nipple 8.5 mm
	25	1	N ₂	100	OUT	0.5	W22 (R)	Hose Nipple 8.5 mm
	25	1	O ₂	100	OUT	0.5	W22 (R)	Hose Nipple 8.5 mm