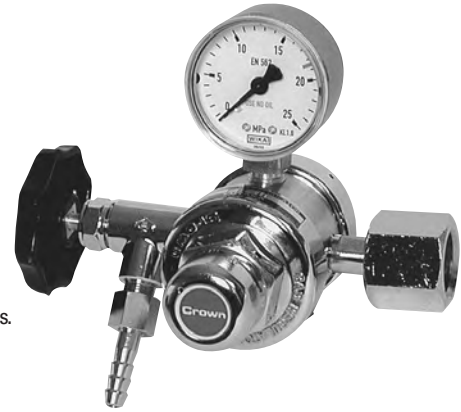


FR-II0 Series

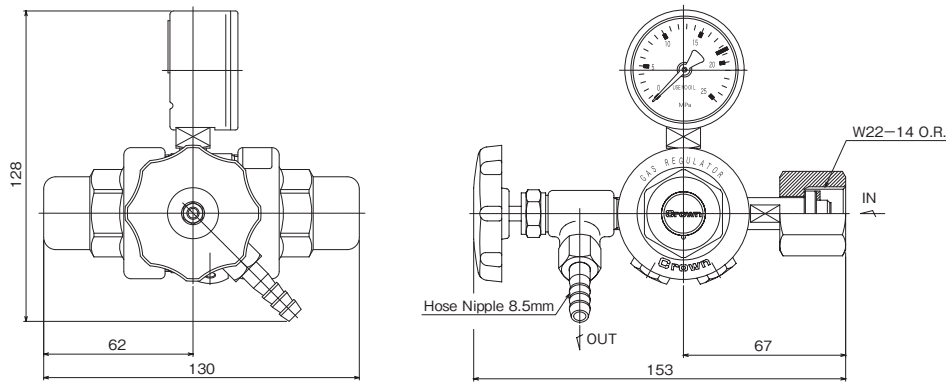
For Cylinder Two-Stage Pressure Regulator



Specifications

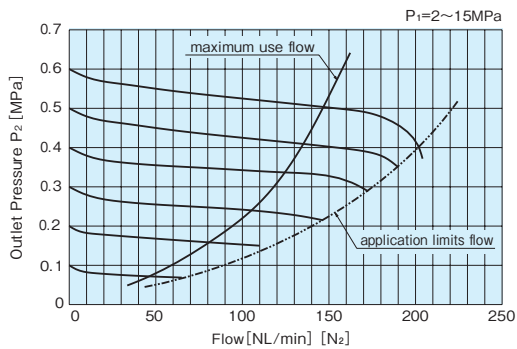
Inlet Pressure Gauge	25MPa	Outlet Connection	Hose Nipple 8.5mm
Inlet Pressure	14.8MPa or less	Accessories	Gasket Packing(Fiber) × 2Pcs.
Outlet Pressure	0.15 or 0.2MPa	Approximate Weight	1.8kg
Inlet Connection	W22-14 O.R.		

Outline drawing



[Note]
 ■ Unit : mm
 ■ Dimensions are subject to change without notice.

Flow characteristics



[Note]
 ■ These tests were performed at ambient conditions.

Materials of construction

Body	C3604 BD
Bonnet	ZDC
Poppet	C3604 BD
Seat	NBR
Diaphragm	NBR
Safety valve seat	NBR

List of specifications

Series	Inlet Pressure Gauge MPa	Outlet Pressure MPa	Inlet Connection	Outlet Connection
FR-II0	25	0.15	W22 (R)	Hose Nipple 8.5 mm
	25	0.2	W22 (R)	Hose Nipple 8.5 mm
	25	0.25	W22 (R)	Hose Nipple 8.5 mm
	25	0.15	W21 (L)	Hose Nipple 8.5 mm
	25	0.2	W21 (L)	Hose Nipple 8.5 mm
	25	0.25	W21 (L)	Hose Nipple 8.5 mm