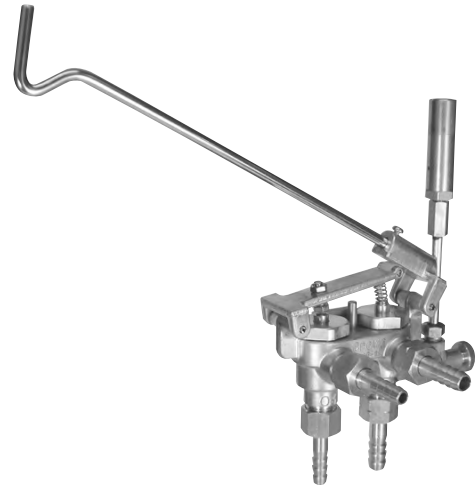


YGS Series

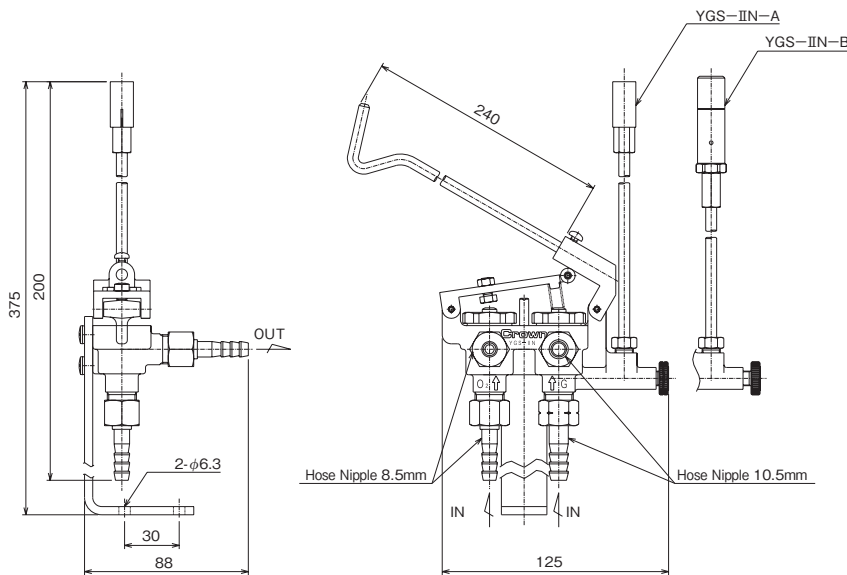
Gas Saver

Specifications

	YGS-IIIN-A	YGS-IIIN-B
Applicable gas	C ₂ H ₂ · O ₂	LPG · O ₂
Use	O ₂	0.1~0.9MPa
Pressure	C ₂ H ₂ or LPG	0.002~0.09MPa
Inlet Connection	Hose Nipple 8.5mm, Hose Nipple 10.5mm	
Outlet Connection	Hose Nipple 8.5mm, Hose Nipple 10.5mm	
Approximate Weight	1.2kg	1.3kg



Outline drawing



[Note]
 ■ Unit : mm
 ■ Dimensions are subject to change without notice.

Materials of construction

Body	C3771BE
Hose Nipple	C3604BD
Poppet	C3604BD
Seat	NBR
Diaphragm	NBR