

RoHS 10

# SERIES GF2-4-F

## Two-stage precision pressure regulator with flowmeter

### FEATURES

- The GF2 series is a brass two-stage pressure regulator designed for the physical and chemical science markets.
- Reduces supply pressure effect and a flowmeter with range from a minute flow of 100 mL/m to versatile 30 L/m can be installed.



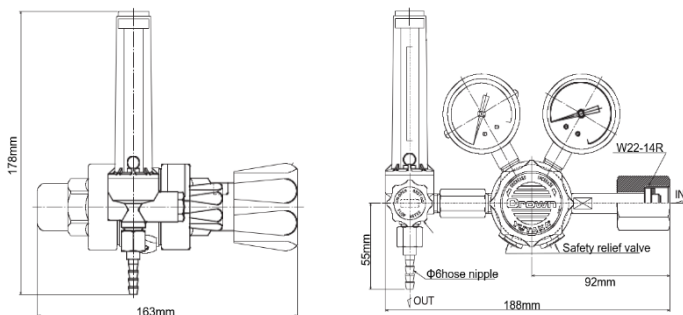
<b>APPLICATION</b>	Physics & chemistry
<b>LOCATION</b>	For cylinder
<b>STANDARD FLOWRATE</b>	100mL/m~30L/m

**[OPTION]**

- Outlet : Tube and Pipe connector

**[DRAWING NOTES]**

- Dimensions are subject to change without notice for improvement.



Body	C3604BD
Cover	C3771BE
Seat retainer	C3604BD
Diaphragm	NBR + PTFE
Poppet seat	PCTFE · PTFE
Safety valve seat	FKM

	GF2-2506-RX-F25	GF2-25□□-□□-□□
<b>Gas</b>	N2	Ar,N2,CO2,O2,H2,He etc.
<b>High pressure gauge</b>	25Mpa	25Mpa
<b>Low pressure gauge</b>	0.6Mpa	0.3/0.6Mpa
<b>Inlet pressure (P1)</b>	~14.8Mpa	~14.8Mpa(max20Mpa)
<b>Delivery pressure (P2)</b>	0~0.4Mpa	0~0.2/0.4Mpa
<b>Inlet connector</b>	W22-14R	W22-14R etc.
<b>Flow meter</b>	25L/m (OUT)	100mL/m, 300mL/m, 500mL/m, 1L/m, 5L/m, 10L/m, 15L/m, 25L/m
<b>Inlet connector</b>	W22-14R	W22-14R (Depends on gas)
<b>Outlet connector</b>	Rc1/4	Rc1/4 etc.
<b>Net weight</b>	1.8kg	1.8kg

**[NOTES]**

- For part numbers other than those listed above, see page 57.
- For CO2 gas supply of 5 L/m or more, use FCR or NP series
- Inlet pressure up to 20 MPa is a special option.

SELECTION

GENERAL INDUSTRIAL

PHYSICS & CHEMISTRY

MEDICAL

FLOW METER

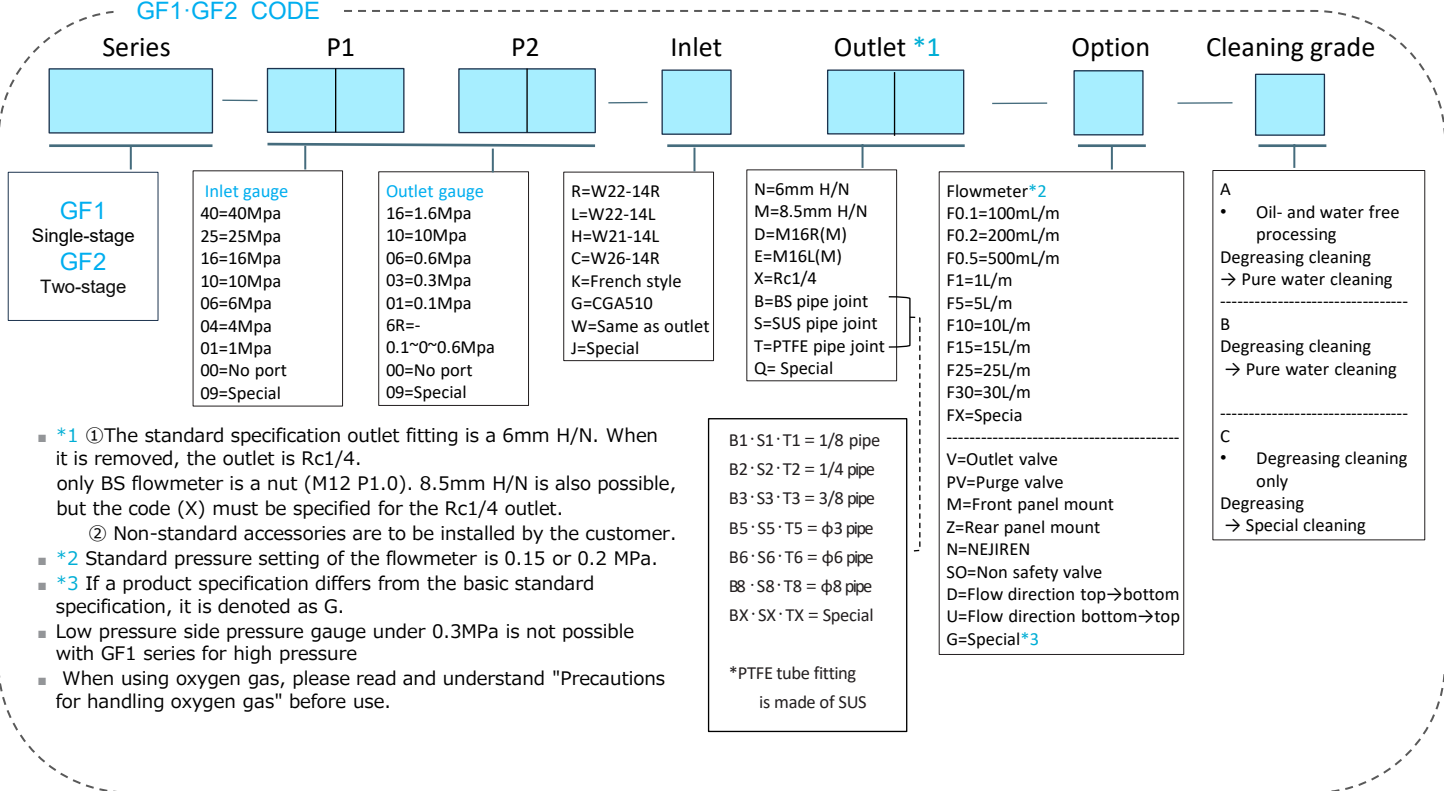
EQUIPMENT

DATA

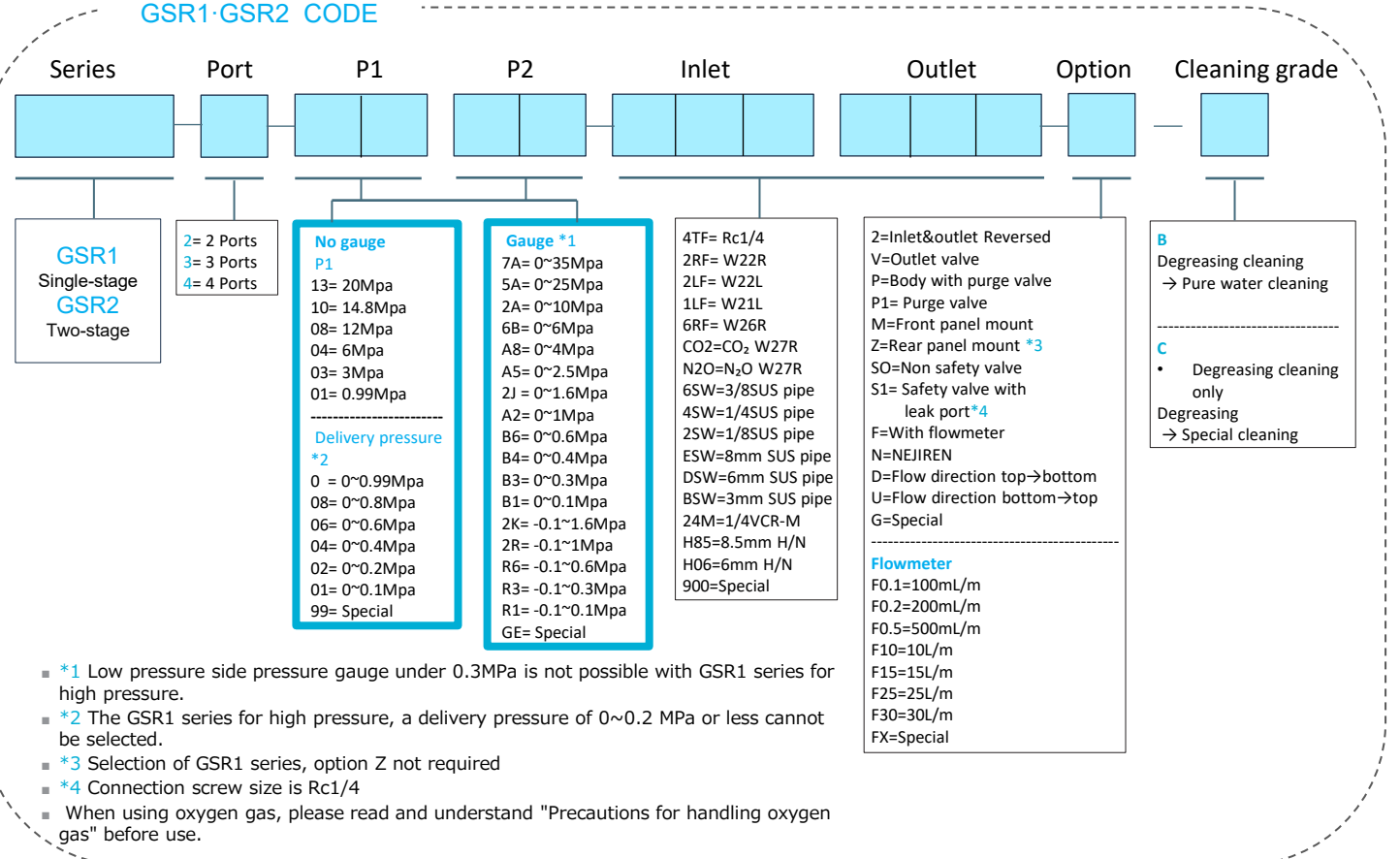
# SERIES GF1 /GF2 /GSR1 /GSR2

## Part Number Code

### GF1·GF2 CODE



### GSR1·GSR2 CODE



SELECTION

GENERAL INDUSTRIAL

PHYSICS & CHEMISTRY

MEDICAL

FLOW METER

EQUIPMENT

DATA