

For Medical equipment

# FR- IK Series

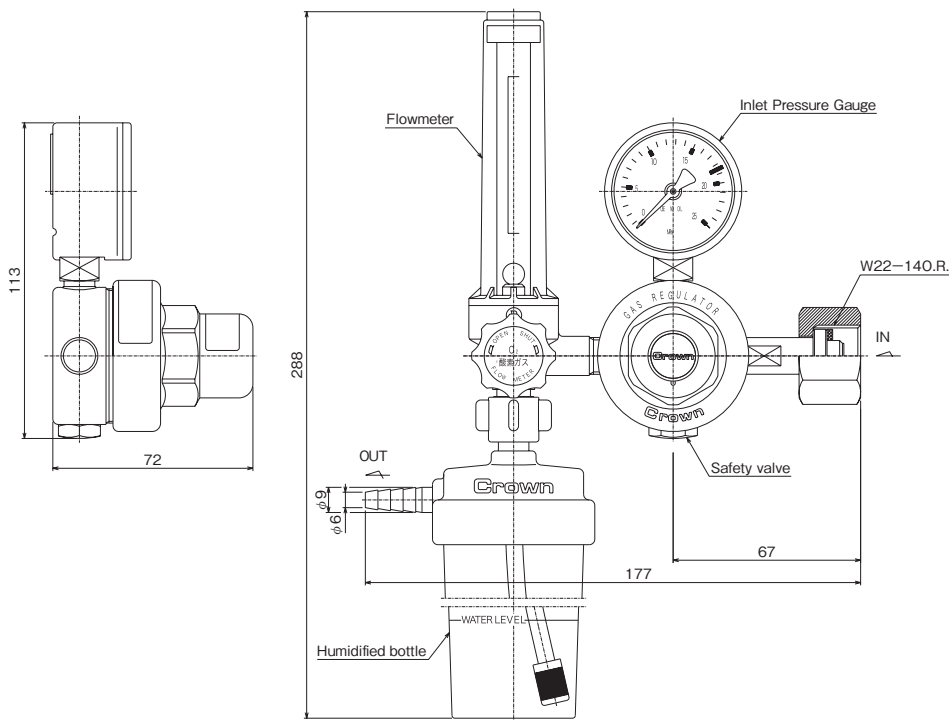
## Gas regulator with humidified bottle

### Specifications

Applicable gas	Oxygen for medical purposes	Type of Flowmeter	IN
Outlet Pressure Gauge	25MPa	Proof Pressure	0.15MPa
Inlet Pressure	14.8MPa or less	Inlet Connection	W22-14 O.R.
Outlet Pressure	0.15MPa[P <sub>1</sub> =14.8MPa]	Outlet Connection	Hose Nipple 9mm
Operating pressure of safety valve	0.45MPa more than	Accessories	Gasket Packing(Fiber)×2Pcs.
Flow Range	0.2~10L/min	Approximate Weight	1.4kg



### Outline drawing



[Note]  
 ■ Unit : mm  
 ■ Dimensions are subject to change without notice.

### Materials of construction

Body	C3604BD
Bonnet	ZDC
Poppet	C3604BD
Seat	NBR
Diaphragm	NBR
Safety valve seat	NBR

General industrial use

Flowmeter

Gas Mixer

Medical use